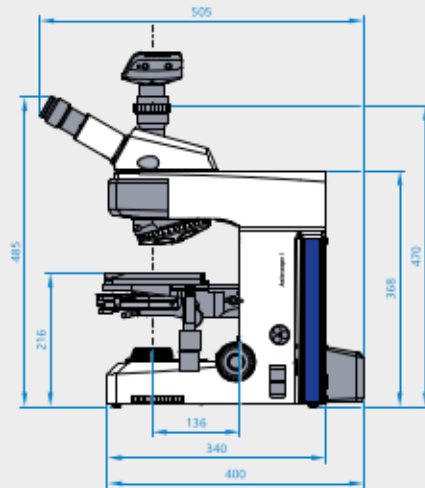


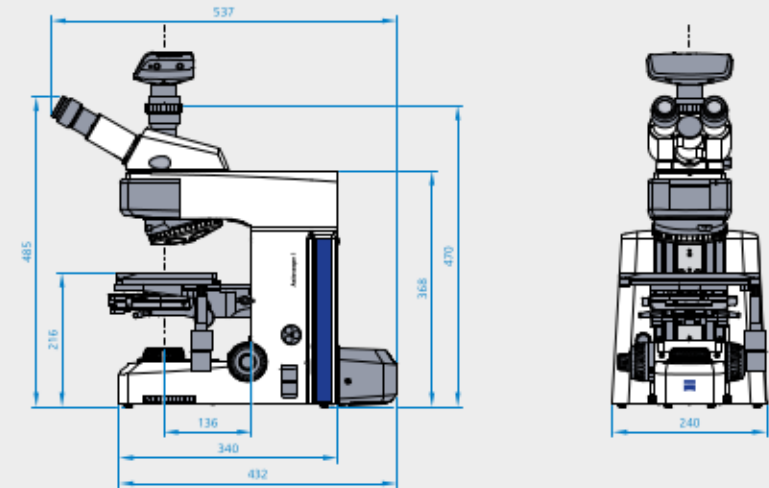
# Technical Specifications

- › In Brief
- › The Advantages
- › The Applications
- › The System
- › **Technology and Details**
- › Service

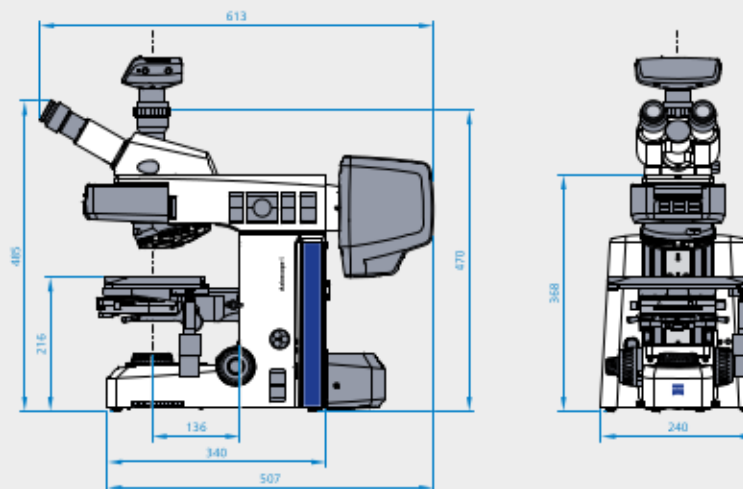
ZEISS Axioscope 5 Transmitted Light, HAL 50



ZEISS Axioscope 5 Transmitted Light, LED/HAL 100



ZEISS Axioscope 5 Transmitted Light and Fluorescence



# Technical Specifications

- › In Brief
- › The Advantages
- › The Applications
- › The System
- › **Technology and Details**
- › Service

	ZEISS AxioScope 5	Transmitted Light, HAL 50	Transmitted Light, LED/HAL 100	Transmitted Light and Fluorescence
<b>Transmitted light illumination</b>	Material Number	430035-9032-000	430035-9201-000	430035-9061-000
	TL light source	Hal 50W	LED 10W Optional Hal 100W	LED 10W Optional Hal 100W
	6-position TL filter wheel	●	●	●
<b>Fluorescence/ reflected light illumination</b>	FL/RL light source	NA	NA	Colibri 3 Optional HBO 100 and HXP 120 for FL or LED 10W/Hal 100W for non-fluorescence reflected light
	Status indicator of active FL-LED	NA	NA	● (for Colibri 3)
	Independent intensity control on stand of each FL-LED	NA	NA	● (for Colibri 3)
	FL-LED intensity memory function	NA	NA	● (for Colibri 3)
	Automatic mechanical shutter in TL for fluorescence imaging	NA	NA	●
	Reflector turret (or slider)	NA	NA	2, 4 or 6-position, encoded
	Mount for RL luminous-field diaphragm slider	NA	NA	●
	Mount for RL aperture stop slider or FL attenuator	NA	NA	●
	Mount for RL adjusting aid for HBO/XBO	NA	NA	●
	Mount for RL filter slider R, 14x40 mm d=36 mm	NA	NA	●

# Technical Specifications

- › In Brief
- › The Advantages
- › The Applications
- › The System
- › **Technology and Details**
- › Service

	ZEISS AxioScope 5	Transmitted Light, HAL 50	Transmitted Light, LED/HAL 100	Transmitted Light and Fluorescence
<b>Observation and documentation</b>	Eco Mode	●	●	●
	Light Intensity Manager	●	●	●
	Snap button (to take images and videos) on stand	●	●	●
	RL/TL switch buttons	NA	NA	●
	Contrasting methods	BF, DF, Ph, simple TL Pol	BF, DF, Ph, simple TL Pol	BF, DF, Ph, PlasDIC, DIC, FL, TL/RL Pol
	Field of view	23 mm	23 mm	23 mm
	Optical system	Infinite, IC <sup>2</sup> S	Infinite, IC <sup>2</sup> S	Infinite, IC <sup>2</sup> S
	Camera tube	●	●	●
	Full Köhler	●	●	●
<b>Stand</b>	Nosepiece	6X H, encoded, M27	6X H, encoded, M27	6X H DIC, encoded, M27
	Stage	Mechanical stage 75 × 50 (rackless with hardcoat anodized surface, right drive, extendable and with torque setting)	Mechanical stage 75 × 50 (rackless with hardcoat anodized surface, right drive, extendable and with torque setting)	Mechanical stage 75 × 50 (rackless with hardcoat anodized surface, right drive, extendable and with torque setting)
	Z Focus range	24 mm	24 mm	24 mm
	Focus	Coarse and fine focusing knobs on both left and right side; focus stopp adjustment	Coarse and fine focusing knobs on both left and right side; focus stopp adjustment	Coarse and fine focusing knobs on both left and right side; focus stopp adjustment
	Specimen Holder	Dual slide holder for one-hand operation, spring lever left Optional: holder for single slide	Dual slide holder for one-hand operation, spring lever left Optional: holder for single slide	Dual slide holder for one-hand operation, spring lever left Optional: holder for single slide
	Frgotube	●	●	●
	Eyepiece, diopter adjustment	Up to ± 5 diopter	Up to ± 5 diopter	Up to ± 5 diopter
	Power Unit	Integrated	Integrated	Integrated